

ABB MEASUREMENT & ANALYTICS | DATA SHEET

261GC, 261GG, 261GN and 261AC

Gauge and Absolute transmitters with direct mount seal



Measurement made easy

Engineered solutions for all applications

Featuring remote seal with capillary tube

Base accuracy

- $\pm 0.1 \%$

Span limits

- 0.3 to 60000 kPa; 1.2 in H₂O up to 8700 psi
- 0.3 to 10000 kPa abs; 2.25 mmHg up to 1450 psia

Proven sensor technology together with state-of-the-art digital technology

- Large turn down ratio of up to 20:1

Stainless steel housing

- Optimized for use in harsh ambient conditions
- Extremely robust

Flexible configuration options

- Local configuration via setup button for upper and lower range values
- Local configuration via buttons on LCD indicator
- Via handheld terminal or PC user interface

Large selection of versions, options, filling fluids

- High level of flexibility for hygienic applications or use at high temperatures

PED compliance to Sound Engineering Practice (SEP)

Product in compliance with Directive 2011/65/UE (RoHS II)

General description

For the transmitters 261Gx and 261Ax, process connections with flush diaphragms are available in a variety of designs and dimensions to meet the requirements of a wide range of sectors, including industries such as oil and gas, paper, chemicals, food and pharmaceuticals.

Special filling fluids are available for applications with high temperatures. For hygienic applications or use in the food industry, select filling fluids that are classified by the US Food and Drug Administration (FDA) as safe for use with food.

Functional specification

Measuring range limits and span limits

Sensor code	Measuring range upper limit (URL)	Measuring range lower limit (LRL)	Minimum measuring span (sensor limit values)	Overload limits
C	6 kPa 60 mbar 24 inH ₂ O	-6 kPa -60 mbar 24 inH ₂ O	0,3 kPa 3 mbar 1,2 inH ₂ O	1 MPa 10 bar 145 psi
F	40 kPa 400 mbar 160 inH ₂ O	-40 kPa -400 mbar -160 inH ₂ O	2 kPa 20 mbar 8 inH ₂ O	1 MPa 10 bar 145 psi
L	250 kPa 2500 mbar 1000 inH ₂ O	0 abs	12,5 kPa 125 mbar 50 inH ₂ O	0,5 MPa 5 bar 72,5 psi
D	1000 kPa 10 bar 145 psi	0 abs	50 kPa 500 mbar 7,25 psi	2 MPa 20 bar 290 psi
U	3000 kPa 30 bar 435 psi	0 abs	150 kPa 1,5 bar 21,7 psi	6 MPa 60 bar 870 psi
1	4000 kPa 40 bar 580 psi	0 abs	200 kPa 2 bar 29 psi	8 MPa 80 bar 1160 psi
R	10000 kPa 100 bar 1450 psi	0 abs	500 kPa 5 bar 72,5 psi	20 MPa 200 bar 290 psi
V	60000 kPa 600 bar 8700 psi	0 abs	3000 kPa 30 bar 435 psi	90 MPa 900 bar 13050 psi

NOTE

The measuring range lower limit (LRL) for model 261AC is 0 absolute for all measuring ranges.

Span limits

Maximum span = measuring range upper limit (URL)

To optimize performance characteristics, it is recommended that you select the transmitter sensor code with the lowest turn down ratio.

TURNDOWN = Upper range limit/set span

Damping

Configurable time constant between 0 and 60 s.

This is in addition to the sensor response time, and can be adjusted via the optional LCD indicator, handheld terminal, or PC user interface.

Warm-up time

Ready for operation as per specifications in less than 10 s with minimum damping.

Insulation resistance

>100 MΩ at 500 V DC (between terminals and ground).

Insulation resistance

>100 MΩ at 500 V DC (between terminals and ground).

Zero suppression and elevation

The zero position and span can be set to any value within the measuring range limits listed in the table if:

— Set span ≥ minimum span

Operating limits

Pressure limits

The maximum permissible pressure depends on the permissible sensor overload (refer to table "Measuring range limits and span limits") and the permissible working pressure for the process connection according to the order information.

Filling fluids (applications)	ID	Pressure in kPa abs			
		20 °C (68 °F)	100 °C (212 °F)	150 °C (302 °F)	180 °C (356 °F)
Silicone oil	IL	> 0,5	> 0,5	> 1,5	> 4.5
Fluorocarbon	G5	> 0.21	> 3,5	> 32,5	-
White oil	WB	> 50	> 100	> 100	> 100
Silicone oil for vacuum applications	IL-V	> 0,07	> 0,07	> 0.5	> 1.8
White oil for vacuum applications	WB-V	> 0,5	> 2,5	> 5.0	> 60

Temperature limits °C (°F)

Environment

Model 261GC, 261AC	Ambient temperature limits
Operating temperature range	-40 to 85 °C (-40 to 185 °F)
White oil filling	-6 to 85 °C (21 to 185 °F)
LCD display	-20 to 70 °C (-4 to 158 °F)

NOTE

For applications in potentially explosive atmospheres, the temperature range specified on the relevant certificate/ approval must be observed.

Storage

Model 261GC, 261AC	Storage temperature range
Storage temperature range	-50 to 85 °C (-58 to 185 °F)
White oil filling	-6 to 85 °C (21 to 185 °F)
LCD display	-40 to 85 °C (-40 to 185 °F)

Model 261GC, 261AC	Humidity during storage
Relative humidity	Up to 75 %

Filling fluids	ID	Density at 20 °C in kg/m ³	Process temperature in °C at maximum ambient temperature	
			40 °C	60 °C
Silicone oil	IL	935	-30 to 180	-30 to 140
Fluorocarbon	G5	1830	-30 to 150	-30 to 140
White oil	WB	849	-6 to 180	-6 to 140
Silicone oil for vacuum applications	IL-V	935	-30 to 180	-30 to 140
White oil for vacuum applications	WB-V	849	-6 to 180	-6 to 140

Electromagnetic compatibility (EMC)

The devices conform to the requirements and tests for EMC Directive 2014/30/UE, as well as EN 61000-6-3 concerning emitted interference and EN 61000-6-1, EN 61000-6-2 concerning interference immunity. The devices fulfill NAMUR recommendations.

Pressure Equipment Directive (PED)

The devices meet the requirements of Directive 2014/68/UE, following Sound Engineer Practice (SEP).

Humidity

Relative humidity: Up to 100 %
Condensation, icing: Permissible

Vibration resistance

Acceleration up to 2 g at frequencies of up to 1000 Hz (according to IEC 60068-2-6).

Shock resistance

Acceleration: 50 g
Duration: 11 ms (according to 60068-2-27)

Humid and dusty atmospheres (degree of protection)

The transmitter is dust and sand-tight, and is protected against immersion effects as defined by the following standards:

- IEC EN60529 with IP 67 (with IP 68, IP 69K on request)
- NEMA 4X
- JIS C0920

IP65 degree of protection with plug connection

ATEX transmitter with type of protection "intrinsic safety Ex ia/ib" in accordance with Directive 2014/34/UE

Transmitter with 4 to 20 mA output signal and HART communication	
Certificate no.	PTB 19 ATEX 2006
Labeling	II 1/2 G Ex ia IIC T4 to T6 Ga/Gb II 2 G Ex ib IIC T4 to T6 Gb

Permissible ambient temperature range according to temperature class:

Ambient temperature	Temperature class
-40 to 85 °C (-40 to 185 °F)	T1 to T4
-40 to 71 °C (-40 to 159 °F)	T5
-40 to 56 °C (-40 to 132 °F)	T6

Or

Labeling	II 1/2 D Ex ia IIIC T66 °C or T95 °C Da/Db	II 1/2 D IP65 T95 °C Ex ia D or T95 °C Ex ib D
	II 2 D Ex ib IIIC T66 °C or T95 °C Db	

Permissible ambient temperature range:
-40 to 85 °C (-40 to 185 °F)

Supply and signal circuit with "Intrinsically safe Ex ia/ib IIB/IIC" type of protection", with the following maximum values	
	$U_i = 30 \text{ V}$
	$I_i = 130 \text{ mA}$
	$P_i = 0.8 \text{ W}$
Effective internal capacitance	$C_i = 10 \text{ nF}$
Effective internal inductance	$L_i = 0.5 \text{ mH}$

IECEx transmitter with the following types of protection: "intrinsic safety ia", "non sparking nA" and "dust ignition protection by enclosure tb"

Transmitter with 4 to 20 mA output signal and HART communication	
Certificate no.	IECEx ZLM 10.0002
Labeling	Ex ia IIC T6 bzw. T4 Ga/Gb Ex ia IIIC T66°C bzw. T95°C Da/Db Ex nA IIC T6 bzw. T4 Gc Ex tb IIIC T66°C bzw. T95°C Db

Maximum permissible ambient temperature range according to temperature class

Ambient temperature	Temperature class	Surface temperature
-40 to 85 °C (-40 to 185 °F)	T4	95 °C (203 °F)
-40 to 56 °C (-40 to 133 °F)	T6	66 °C (151 °F)

Electrical data according to designation Ex ia IIC T6 or T4 Ga/Gb and Ex ia IIIC T66°C or T95°C IP6X Da/Db

Supply and signal circuit with "intrinsic safety" Ex ia or Ex ib type of protection, for connection to power supply units with the following maximum values (terminal signal ±)

	$U_i = 30 \text{ V}$
	$I_i = 130 \text{ mA}$
	$P_i = 0.8 \text{ W}$
Effective internal capacitance	$C_i = 10 \text{ nF}$
Effective internal inductance	$L_i = 0.5 \text{ mH}$

If the transmitter is being integrated into a partition between equipment protection level Ga or Da and a lower protection level, the transmitter must be supplied with power by an Ex ia intrinsically safe circuit.

Electrical data according to designation Ex nA IIC T6 or T4 Gc and Ex tb IIIC T66°C or T95°C IP6X Db

	$I_N \leq 22,5 \text{ mA}$
	$U_N \leq 45 \text{ V}$

...Operating limits

Factory Mutual (FM)

Transmitter with 4 to 20 mA output signal and HART communication	
Intrinsic Safety	Class I; II and III; Division 1; Groups A, B, C, D; E, F, G Class I; Zone 0; AEx ia Group IIC T6; T4
Non-incendive	Class I, II, III, Division 2; Groups A, B, C, D, F, G
Degree of protection	NEMA type 4X (indoor and outdoor installation)

Canadian Standards Association (CSA)

Transmitter with 4 to 20 mA output signal and HART communication	
Intrinsic Safety	Class I; II and III; Division 1; Groups A, B, C, D; E, F, G Class I; Zone 0; Group IIC T6; T4
Non-incendive	Class I, II, III; Division 2; Groups A, B, C, D; F, G
Degree of protection	NEMA type 4X (indoor and outdoor installation)

Permissible ambient temperature range according to temperature class:

U _i max. = 30 V; I _i max = 130 mA; P _i = 0,8 W; C _i = 10 nF; L _i = 0,5 μH			
Ex ia II CT1 to T6	T6	T5	T1 to T4
	-40 to 56 °C	-40 to 71 °C	-40 to 85 °C

Intrinsic safety	Gas and dust, order code X4
Degree of protection	Ex ia II CT1~T6; DIP A20 TA 95 °C

Electrical data and options

HART digital communication and 4 to 20 mA output

Power supply

The transmitter operates from 11 to 42 V DC with no load and is protected against reversed polarity (additional loads enable operation above 42 V DC).

During use in Ex ia zones and in other intrinsically safe applications, the power supply must not exceed 30 V DC.

Ripple

Maximum permissible supply voltage ripple during communication: Complies with HART FSK "Physical Layer" specification rev. 8.1.

Load limitations

Total loop resistance at 4 to 20 mA and HART:

$$R(k\Omega) = \frac{\text{Voltage supply} - \text{Minimum operating voltage (VDC)}}{23.6 \text{ mA}}$$

A minimum resistance of 250 Ω is required for HART communication

LCD display (optional)

Digital, graphic LCD display for customized visualization of:

- Gauge pressure/absolute pressure
- Output current in mA or %, or
- HART output (freely assigned start/end values and unit)

Diagnostic messages, alarms, errors, and measuring range upper limit violations are also displayed.

In addition, the LCD display can be used to configure and parameterize the transmitter using 4 buttons.

Output signal

Two-wire, 4 to 20 mA output.

HART® communication provides digital process variables (% , mA or engineering units) superimposed on the 4 to 20 mA signal (protocol according to Bell 202 FSK standard).

Output current limits (according to NAMUR standard)

Overload condition

- Lower limit: 3.8 mA (configurable up to 3.5 mA)
- Upper limit: 20.5 mA (configurable up to 23.6 mA)

Alarm current

- Minimum alarm current: 3.5 mA (configurable from 3.5 to 4 mA)
- Maximum alarm current: 21 mA (configurable from 20 to 23.6 mA)

Default setting: High Alarm Current

Measuring accuracy

Reference conditions according to IEC 60770

- Ambient temperature TU = constant in the range 18 to 30 °C (64 ... 86 °F)
- Relative humidity = constant in the range 30 to 80 %
- Ambient pressure PU = constant in the range 950 to 1,060 mbar.
- Measuring span based on zero position
- Transmitter with ceramic or Hastelloy separation diaphragm
- Filling fluid: Silicone oil
- Supply voltage: 24 V DC
- Load with HART: 250 Ω
- Transmitter not grounded
- Characteristic setting: linear, 4 to 20 mA.

Unless otherwise stated, errors are specified as a % of the measuring span value.

The accuracy of the measurement in relation to the upper range limit (URL) is affected by the turndown (TD); i.e., the ratio of the upper range limit (URL) to the set span (URL/ span).

FOR OPTIMUM MEASURING ACCURACY, IT IS RECOMMENDED THAT YOU SELECT THE SENSOR CODE WHICH WILL PROVIDE THE LOWEST TD VALUE.

Dynamic response (according to IEC 612981)

Reaction time	100 ms
Time constant (63.2 % of total step response)	200 ms (for all sensors)

Measuring error for setting cut-off point

Percentage of set span, consisting of non-linearity, hysteresis, and non-reproducibility.

Turndown	Measuring error
1:1 to 10:1	± 0.1 %
>10:1	± (0.1 + 0.005 x TD - 0.05) %

Ambient temperature

Thermal change in ambient temperature as regards the zero signal and span (turndown up to 6:1), in relation to the set span

Temperature range	Maximum effect on zero signal and span
-10 to 60 °C (14 to 140 °F)	All measuring ranges ± (0.2 % x TD + 0.2 %)
-40 to -10 °C (-40 to 14 °F)	All measuring ranges
60 to 85 °C (140 to 185 °F)	±((0.1 % / 10 K) x TD + (0.1 / 10K))

Temperature coefficient (Tk)

Effect of the ambient temperature per 10 K (but limited to the maximum effect of the temperature change, see previous information). The information refers to the set measuring span.

Temperature range	Effect on zero signal and span
-10 to 60 °C (14 to 140 °F)	Sensor code C, F: ± (0.15 % x TD + 0.15 %)
	Sensor code L, D, U, R, V: ± (0.05 % x TD + 0.05 %)

Temperature limit for white oil; refer to "Operating limits"

NOTE

Additional temperature effects that are dependent on the type and size of the process connection are provided in the dimension drawings for the remote seal.

Power supply

Within the specified limits for the voltage / load, the total influence is less than 0.001 % of the upper measuring range limit per volt.

Load

Within the specified load / voltage limits, the total influence is negligible.

Electromagnetic fields

Total influence is less than 0.3 % of measuring span from 80 to 1,000 MHz and for field strengths up to 10 V/m when tested with unshielded conduit, with or without meter.

Technical specification

(Please refer to the order information to check the availability of different versions of the relevant model)

Materials

Separation diaphragms¹

See order information

Process connection¹

See order information

Filling fluid for process connection

See order information

Sensor filling fluid

Silicone oil, inert filling (carbon fluoride), white oil (FDA)

Mounting bracket

Stainless steel

Sensor housing, electronics housing and cover

Stainless steel (1.4404 / 316L)

Filter for atmospheric ventilation

Filter housing: Plastic (standard), stainless steel (code EA, AB)

Filter material: Polyamide (PA)

Viewing window in cover (LCD display)

Polycarbonate, Makrolon 6557

Cover O-ring

EPDM

Name plate

Plastic data plate attached to the electronics housing

Calibration

Standard: 0 to upper range limit (URL)

Optional: To specified measuring span

Optional extras

LCD display

Can be rotated in 90° increments into 4 positions

Additional tag plates

Code I1: AISI 316 ss wired-on plate with laser printed customized data (4 lines of 30 characters each).

If no text is provided, wired-on plate will be left blank.

Cleaning stage for oxygen applications (O2)

Certificates (test, design, characteristics, material traceability)

Name plate and operating instruction language

Process connections

See order information.

Electrical connections

M16 x 1.5 tap hole with cable gland (cable diameter approx. 5 to 10 mm), directly on housing

or

M20 x 1.5 (via adapter) with cable gland (cable diameter approx. 6 to 11 mm)

or

1/2 in. - 14 NPT (via adapter) without cable gland

or

Harting Han plug connector (with mating plug (socket outlet, for wire diameters of 0.75 to 1 mm² and cable diameters of 5 to 11 mm))

or

Miniature plug connector (without mating plug (socket outlet))

Terminals

HART version:

Two connections for signal / auxiliary power, for wire cross-sections from 0.5 to 1.5 mm² (16 AWG)

Grounding (optional)

External ground terminals for wire cross-sections up to 4 mm² (12 AWG).

Weight

(without options)

- Approx. 0.7 kg (1.54 lb)
- Additional 650 g (1.5 lb)

Packaging

Carton with dimensions of approx. 240 x 140 x 190 mm (9.45 x 5.51 x 7.48 in.)

(1) Transmitter parts that come into contact with fluid

Configuration

Transmitter with HART communication and 4 to 20 mA

Standard configuration

Transmitters are set to the customer's specified span at the factory. The set range and measuring point number are provided on the name plate. If this data has not been specified, the transmitter will be delivered with the following configuration:

Parameter	Factory setting
4 mA	Zero position
20 mA	Measuring range upper limit (URL)
Output	Linear
Damping	0.1 s
Transmitter failure mode	21 mA
Optional LCD display	0 to 100 %

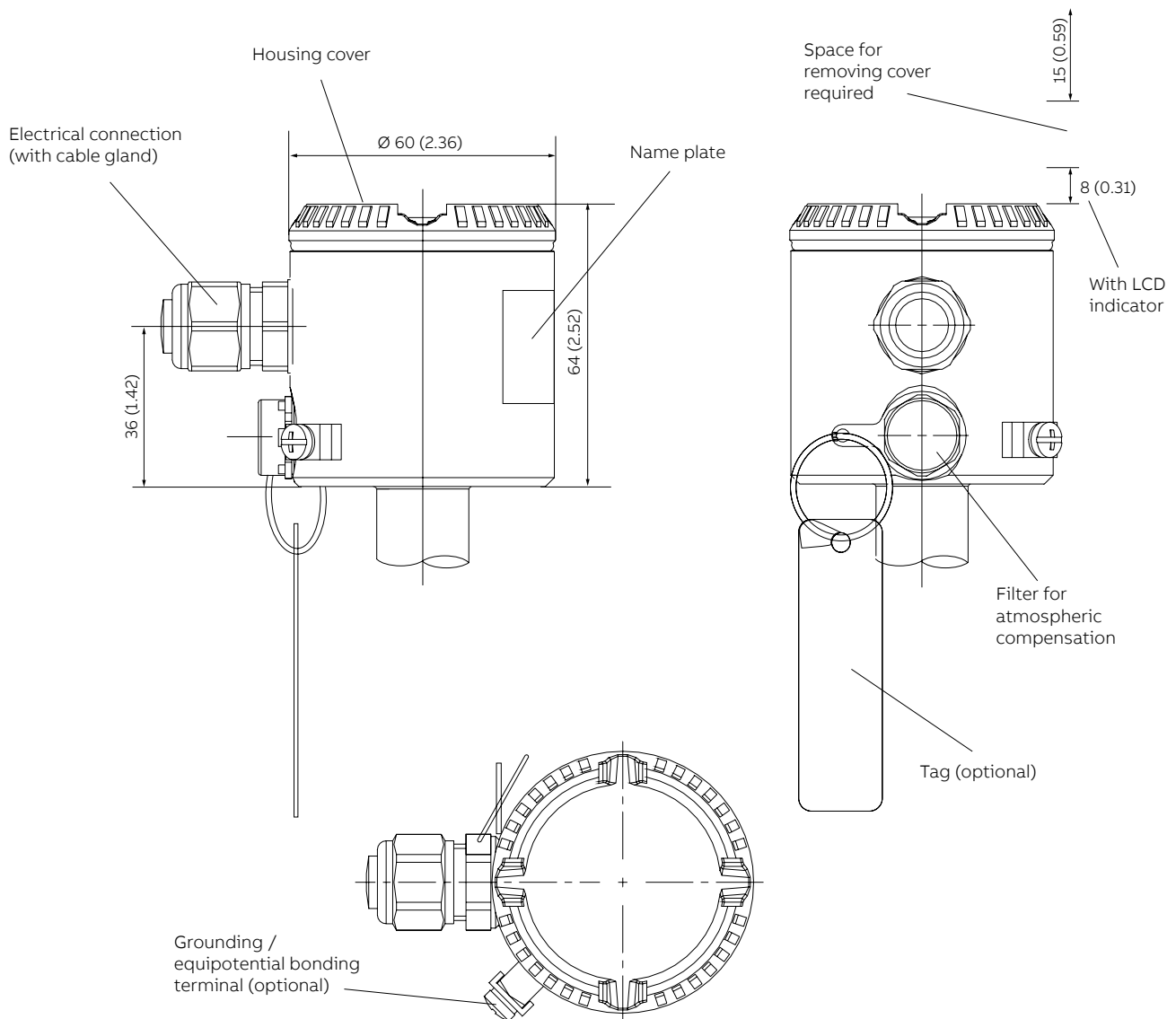
Any or all of the configurable parameters listed above - including the upper and lower range values - can easily be changed using the optional LCD indicator, a HART handheld communicator, or a PC running the configuration software SMART VISION with DTM for 2600T.

Mounting dimensions

(not design data) - dimensions in mm (inch)

Standard design

Pressure transmitter

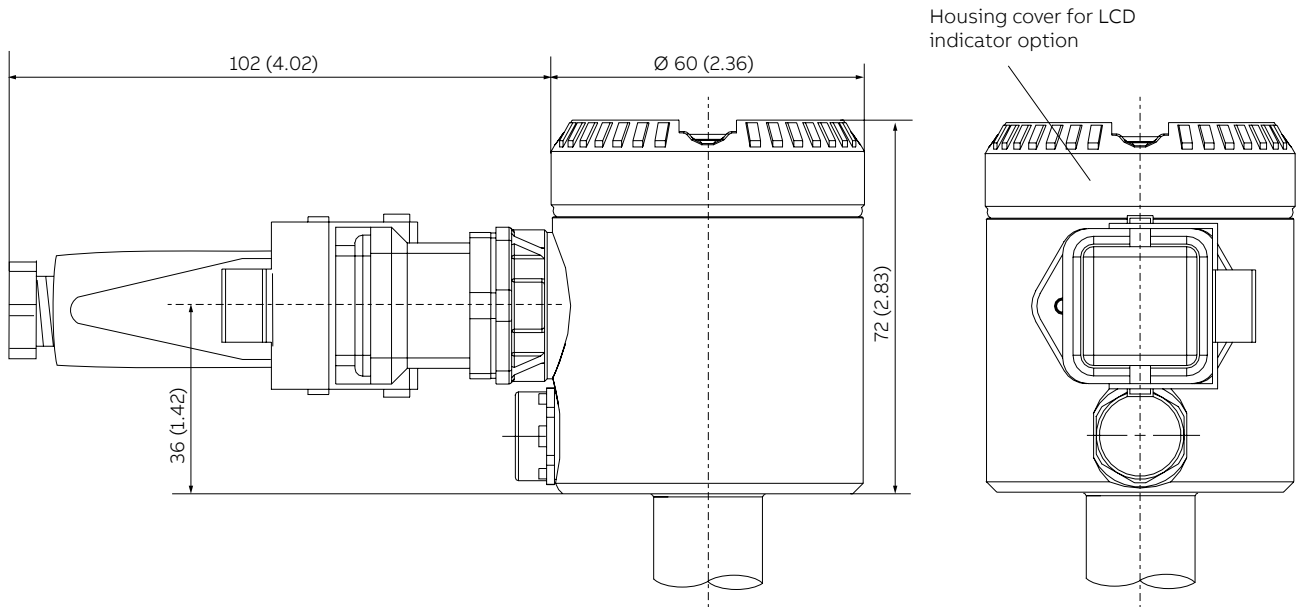


M10281

...Mounting dimensions

Dimensions in mm (inch)

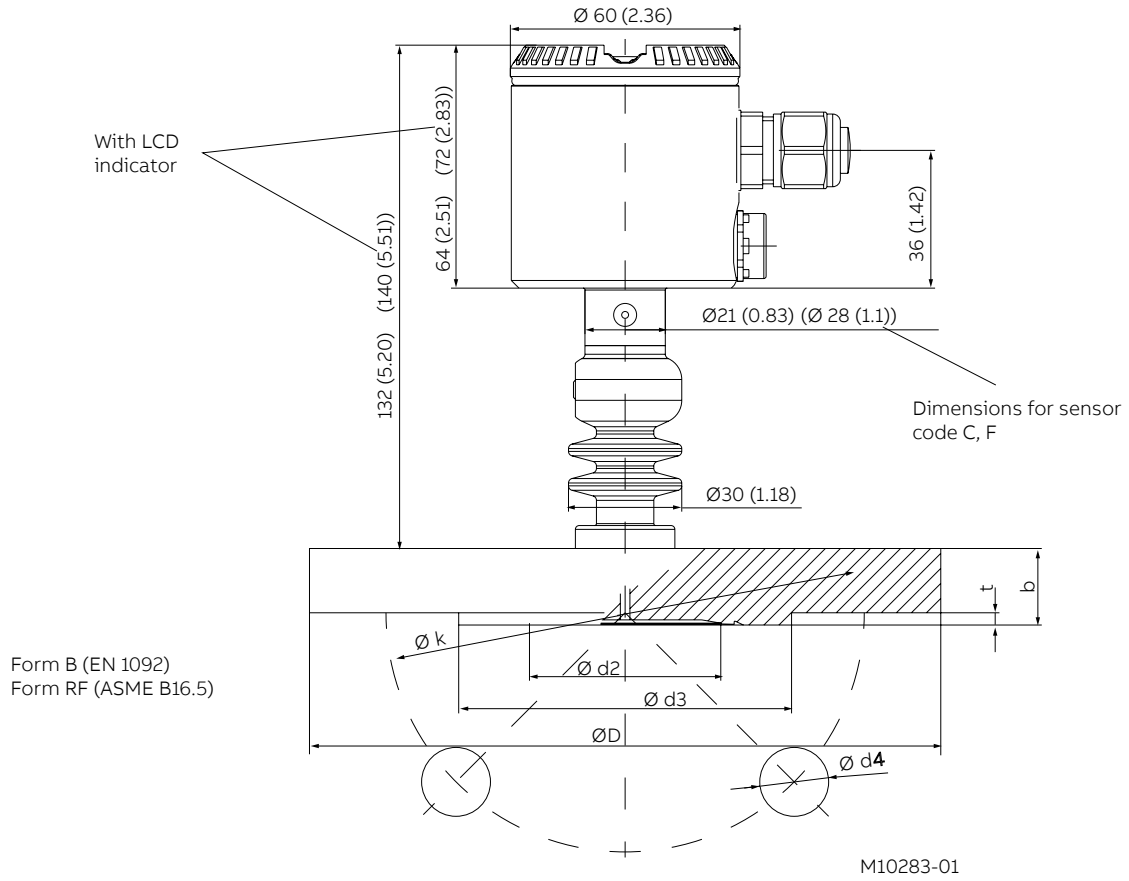
Version with LCD indicator and Harting Han plug



M10282

Model 261GC / AC

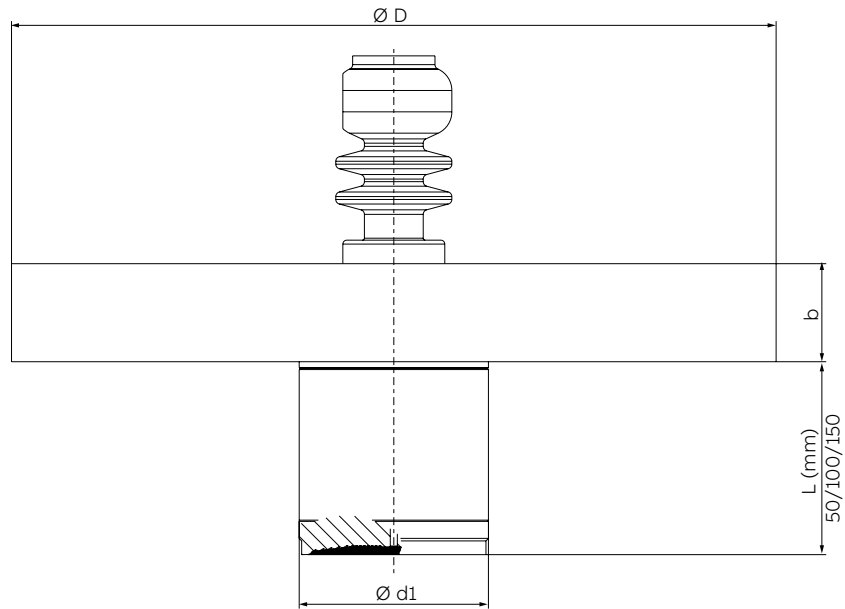
Flush diaphragm remote seal



...Mounting dimensions

Dimensions in mm (inch)

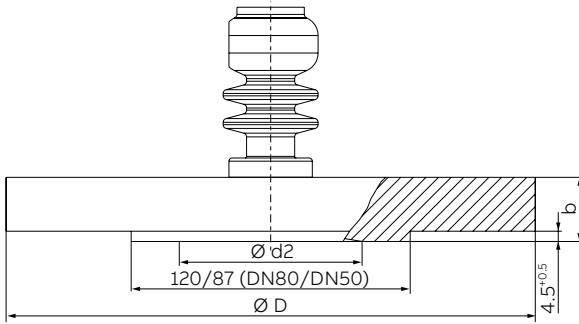
Extended diaphragm remote seal



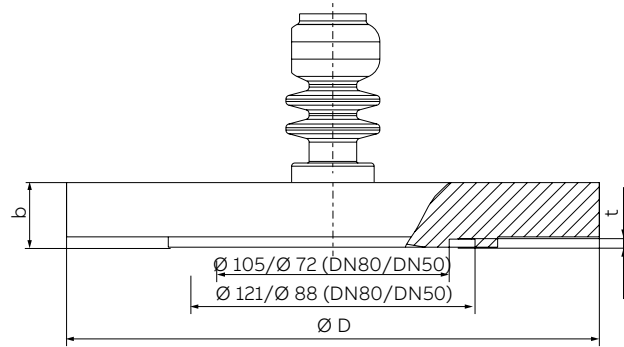
M10284

Sealing surfaces

Sealing surface with edge; Form E (EN 1092)



Sealing surface with groove; Form D (EN1092)



M10285

Sealing surface Form B, Form D, Form E (EN 1092), Form RF (ASME B16.5)

DN	PN	Ø D	Ø k	Ø d1	Ø d2	Ø d3	t Form B2, D, RF	b	Ø d4	Weight	
										Flush diaphragm	Extended diaphragm (tube)
25	PN 10 / 40	115 (4.53)	85 (3.35)	-	32 (1.26)	68 (2.68)	2	18 (0.71)	4 x Ø14		
50	PN 16 / 40	165 (6.50)	125 (4.92)	48,3 (1.9)	57 (2.24)	102 (4.02)	3 (0.12)	20 (0.79)	4 x Ø 18		
	PN 63	180 (7.09)	135 (5.31)	48,3 (1.9)	57 (2.24)	102 (4.02)	3 (0.12)	26 (1.02)	4 x Ø 22		
	PN 100	195 (7.68)	145 (5.71)	48,3 (1.9)	57 (2.24)	102 (4.02)	3 (0.12)	28 (1.10)	4 x Ø 26		
80	PN 16 / 40	200 (7.87)	160 (6.30)	73 (2.87) 73	75 (2.95)	138 (5.43)	3 (0.12)	24 (0.94)	8 x Ø 18		
	PN 63	215 (8.46)	170 (6.69)	(2.87)	75 (2.95)	138 (5.43)	3 (0.12)	28 (1.10)	8 x Ø 22		
	PN 100	230 (9.06)	180 (7.09)	73 (2.87)	75 (2.95)	138 (5.43)	3 (0.12)	32 (1.26)	8 x Ø 26		
1"	class 150	107,9	79,4 (3.13)								
	class 300	(4.25)	88,9 (3.5)		32 (1.26)	50.8 (2)	1,6 (0.06)	14,2 (0.56)	4 x Ø 15,7		
		123,8			32 (1.26)	50.8 (2)	1,6 (0.06)	17,5 (0.69)	4 x Ø 19,1		
		(4.87)									
2"	class 150	152,4 (6)	120,6			92.1					
	class 300	165,1 (6.5)	(4.75)			(3.63)	1.6 (0.06)	19,1 (0.75)	4 x Ø 19,1		
	class 600	165,1 (6.5)	127 (5)	48,3 (1.9)	57 (2.24)	92.1	1.6 (0.06)	22,4 (0.88)	8 x Ø 19,1		
			127 (5)	48,3 (1.9)	57 (2.24)	(3.63)	6.35				
				48,3 (1.9)	57 (2.24)	92.1	(0.25)	25,4 (1.0)	8 x Ø 19,1		
						(3.63)					
3"	class 150	190,5 (7.5)	152,4 (6)								
	class 300	209,5	168,3	73 (2.87)	75 (2.95)	127 (5)	1.6 (0.06)	22,2 (0.87)	4 x Ø 19,1		
	class 600	(8.25)	(6.63)	73 (2.87)	75 (2.95)	127 (5)	1.6 (0.06)	28,4 (1.12)	8 x Ø 22,4		
		209,5	168,3	73 (2.87)	75 (2.95)	127 (5)	6.35				
		(8.25)	(6.63)				(0.25)	31,8 (1.25)	8 x Ø 22,4		

...Mounting dimensions

Accuracy information

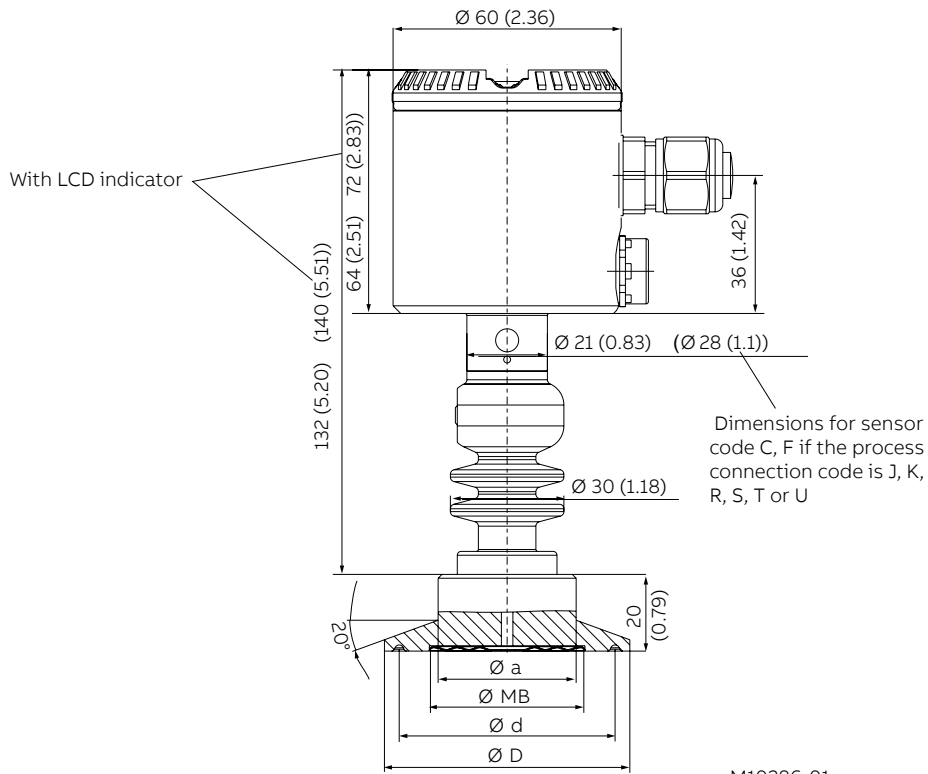
Process connection	Temperature effect for each 10 K (18 °F)				Recommended measuring span	
	Environment		Process		mbar	in H ₂ O
	mbar	in H ₂ O	mbar	in H ₂ O		
DN 25 Flush diaphragm	0,77	0,31	1,20	0,48	1000	401,5
DN 50 Flush diaphragm	0,075	0,03	0,4	0,16	100	40,15
DN 50 with tube	0,125	0,05	0,9	0,36	160	64,24
DN 80 Flush diaphragm	0,05	0,02	0,1	0,04	60	24,09
DN 80 with tube	0,05	0,02	0,1	0,04	60	24,09
1" ASME Flush diaphragm	0,77	0,31	1,20	0,48	1000	401,5
2" ASME Flush diaphragm	0,075	0,03	0,4	0,16	100	40,15
2" ASME with tube	0,125	0,05	0,9	0,36	160	64,24
3" ASME Flush diaphragm	0,05	0,02	0,1	0,04	60	24,09
3" ASME with tube	0,05	0,02	0,1	0,04	60	24,09

Model 261GG

Dimensions in mm (inch)

Average surface finish of surfaces coming into contact with the media: Ra ≤ 0.8 μm

Pressure transmitter with tri-clamp connection per ASME



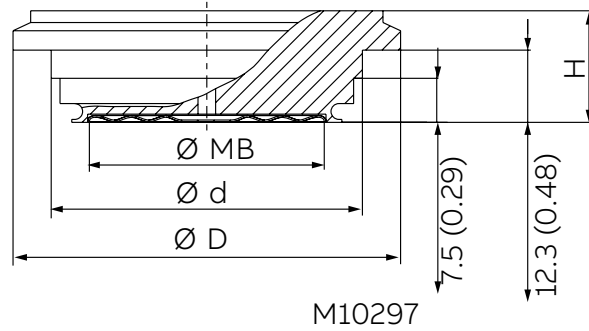
M10286-01

DN	PN	Ø MB	Ø D	Ø d	Ø a
1 1/2"	40	32 (1.26)	50 (1.97)	43,5 (1.71)	36 (1.42)
2"	40	40 (1.57)	64 (2.52)	56,5 (2.22)	36 (1.42)
3"	25	72 (2.83)	91 (3.58)	83,5 (3.29)	77 (3.03)

...Mounting dimensions

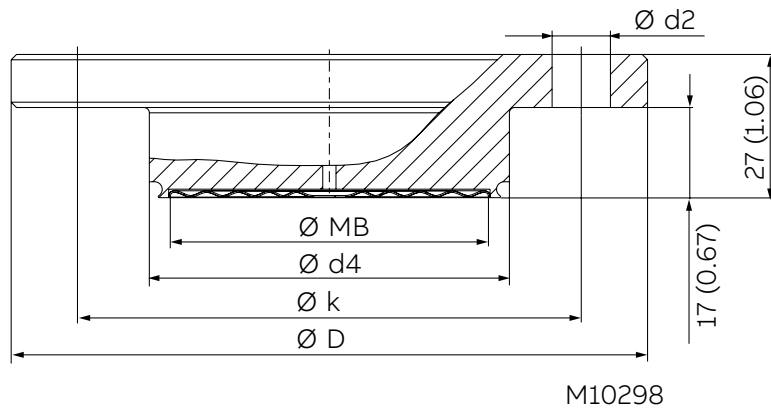
Dimensions in mm (inch)

Varivent connection



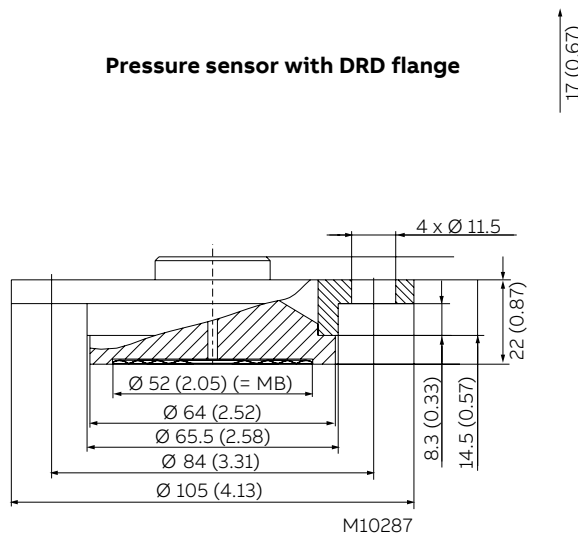
Form	PN	Ø MB	Ø D	Ø d	H
N for pipes DN 40 to 125 and 1 1/2" to 4"	25	60 (2.36)	84 (3.31)	70,9 (2.79)	17 (0.67)
F for pipes DN 25 and 1"	25	40 (1.57)	66 (2.60)	53 (2.08)	17 (0.67)

NEUMO BioControl (flange connection)



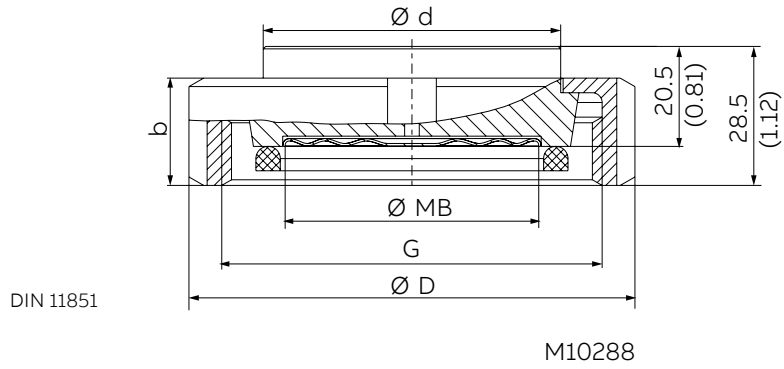
Type	PN	Ø MB	Ø D	Ø d2	Ø k	Ø d4
GR50	16	40 (1.57)	90 (3.54)	4 x Ø 9	70 (2.76)	50 (1.97)
GR65	16	59 (2.32)	120 (4.72)	4 x Ø 11	95 (3.74)	67.9 (2.67)

Pressure sensor with DRD flange



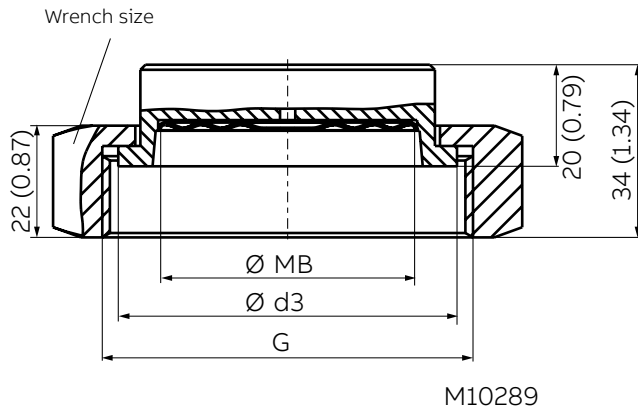
D = 65 mm; PN 40

Dairy coupling



DN	PN	Ø MB	Ø D	Ø d	b	G
32	40	32 (1.26)	70 (2.76)	41 (1.61)	21 (0.83)	Rd 58 x 1/6"
40	40	40 (1.57)	78 (3.07)	48 (1.89)	21 (0.83)	Rd 65 x 1/6"
50	25	52 (2.05)	92 (3.62)	61 (2.40)	22 (0.87)	Rd 78 x 1/6"

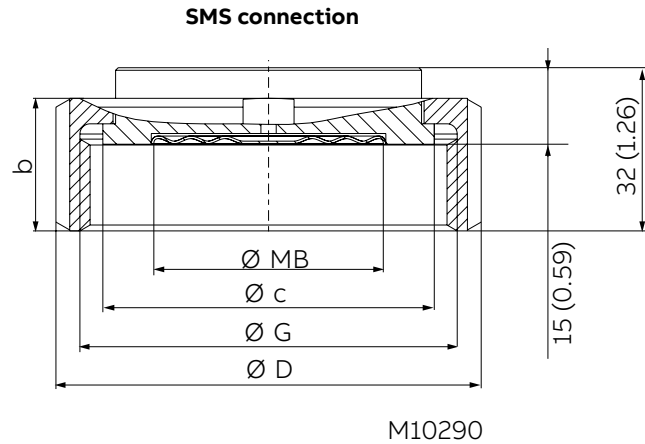
APV-RJT connection



DN	PN	Ø MB	Ø d3	G	WS
1 1/2"	40	32 (1.26)	54 (2.16)	2 5/16 x 8"	65 (2.65)
2"	40	40 (1.57)	66.7 (2.63)	2 7/8 x 6"	80 (3.15)

...Mounting dimensions

Dimensions in mm (inch)



DN	PN	Ø MB	Ø D	Ø c	G	b
1 1/2"	40	35 (1.38)	74 (2.91)	55 (2.17)	Rd 60 x 1/6"	25 (0.98)
2"	40	45 (1.77)	84 (3.30)	65 (2.56)	Rd 70 x 1/6"	26 (1.02)

Additional effect of process connection, only when temperature of transmitter (ambient temperature) deviates from process connection

Process connection	Temperature effect for each 10 K (18 °F)		Recommended min. measuring span		Weight (kg)
	Process		mbar	in H ₂ O	
	mbar	in H ₂ O			
Dairy coupling DIN 11851, DN 32, PN 40	0.22	0.09	45	18.07	0.5
Dairy coupling DIN 11851, DN 40, PN 40	0.20	0.08	40	16.06	0.75
Dairy coupling DIN 11851, DN 50, PN 25	0.12	0.05	40	16.06	0.8
SMS connection DN 1 1/2", PN 40	0.35	0.14	70	28.10	0.8
SMS connection DN 2", PN 40	0.12	0.05	40	16.06	1.0
Tri-clamp connection ASME, DN 1 1/2", PN 40	0.35	0.14	70	28.10	0.6
Tri-clamp connection in acc. with ASME, DN 2", PN 40	0.12	0.05	40	16.06	0.75
Tri-clamp connection in acc. with ASME, DN 3", PN 25	0.08	0.03	40	16.06	1.3
DRD flange, D = 65 mm	0.12	0.05	40	16.06	2.0

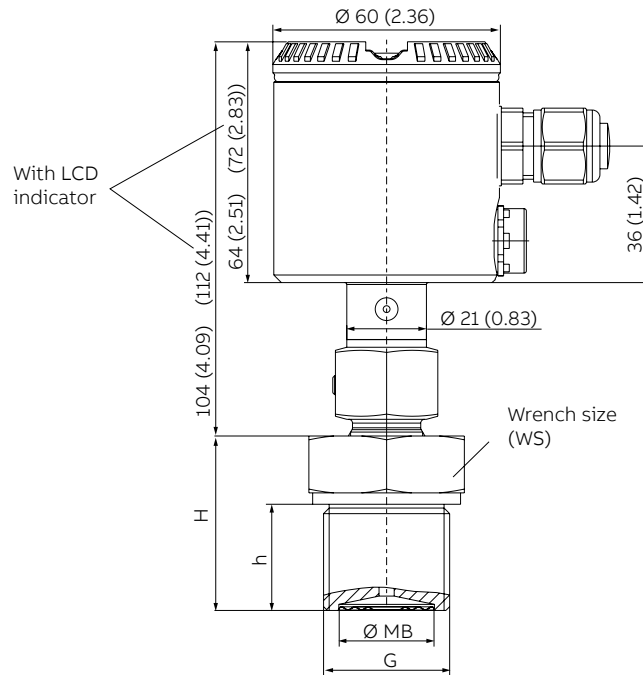
Additional effect of process connection based on calibration temperature

Process connection	Temperature effect for each 10 K (18 °F)				Recommended measuring span		Weight (kg)
	Environment		Process		mbar	in H ₂ O	
	mbar	in H ₂ O	mbar	in H ₂ O			
RJT connection DN 1 1/2", PN 40	0.77	0.31	1.20	0.48	400	160.59	0.9
RJT connection DN 2", PN 40	0.24	0.09	0.78	0.31	200	80.29	1.1
Varivent for DN 25 pipes	0.28	0.11	0.79	0.32	215	86.31	0.33
Varivent for DN 40-DN 125 pipes	0.19	0.07	0.90	0.36	220	88.32	0.58
NEUMO BioControl G50	0.16	0.07	0.52	0.21	135	54.20	0.65
NEUMO BioControl G65	0.18	0.07	0,88	0.35	220	88.32	1.3

...Mounting dimensions

Dimensions in mm (inch)

Model 261GN



M10295

DN	PN	Ø MB	G	WS	h	H	Weight [kg]
1"	600	25 (0.89)	G 1 A	41 (1.61)	28 (1.10)	46 (1.81)	0.3
1 1/2"		40 (1.57)	G 1 1/2 A	55 (2.17)	30 (1.18)	50 (1.97)	0.5

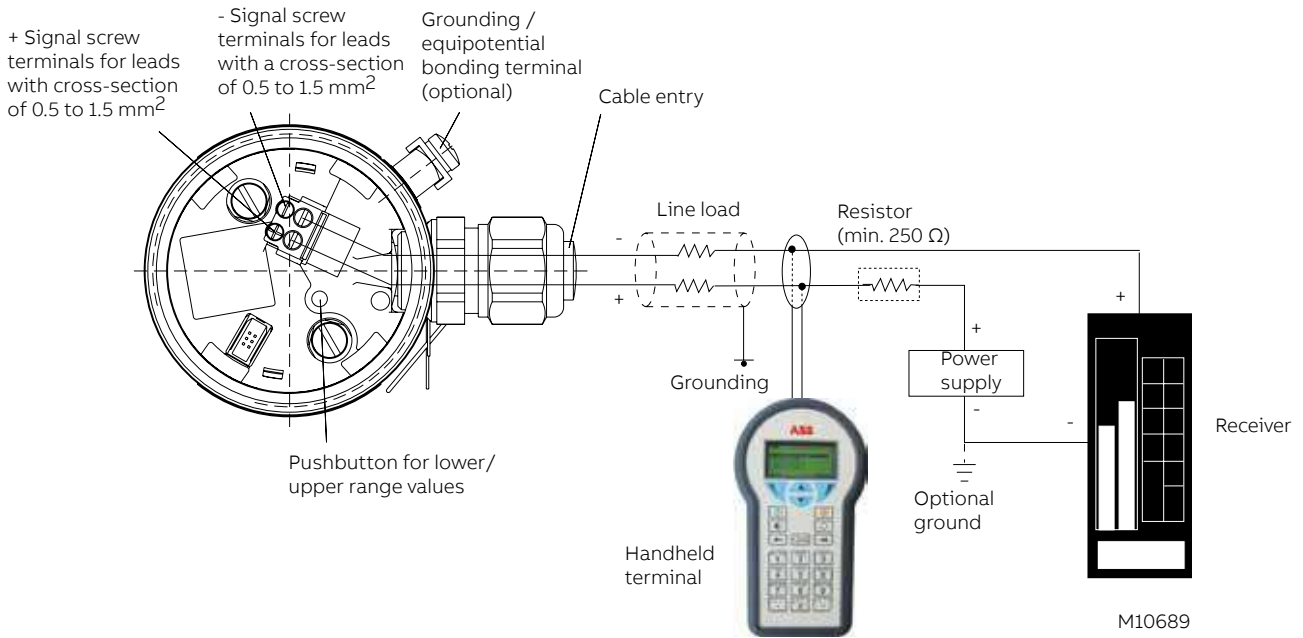
Accuracy information

Process connection	Temperature effect for each 10 K (18 °F)				Recommended min measuring span	
	Environment		Process		mbar	in H ₂ O
	mbar	in H ₂ O	mbar	in H ₂ O		
G 1 A - PN 600	14	5.62	35	14.05	6000	2409
G 1 1/2 A - PN 600	2	0.80	4	1.61	1200	482

Electrical connections

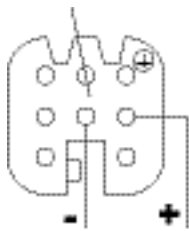
HART version

Electrical connections - HART version

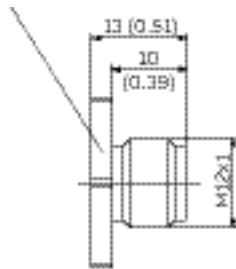


Optional plug connectors

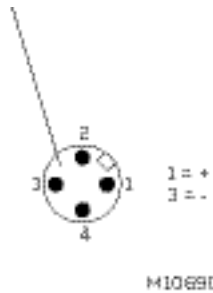
Harting Han 8D (8U) socket insert for mating plug supplied (view of sockets)(pins)



Mating plug (socket); not supplied



M12 x 1 miniature plug (pins)



M10689D

Basic ordering information model 261GC Gauge Pressure Transmitter

				XX	XX	XX	XX	XX	XX
Mounting Flange Material / Seat Form (Flange) – 9th characters									
AISI 316L SST (1.4404)	Form RF (Raised Face) - smooth finish	NACE	(Note: 3)	E					
AISI 316L SST (1.4404)	EN 1092 - B2 (DIN 2526 - Form E)	NACE	(Note: 4)	S					
AISI 316L SST (1.4404)	EN 1092 - B1 (DIN 2526 - Form D)	NACE	(Note: 5)	4					
AISI 316L SST (1.4404)	EN 1092 - E (DIN 2513 - V13)	NACE	(Note: 4)	M					
AISI 316L SST (1.4404)	EN 1092 - D (DIN 2512 - N)	NACE	(Note: 4)	N					
Extension Length / Material – 10th characters									
Flush		NACE			F				
50 mm (2 in.) / AISI 316L SST (1.4404)		NACE			1				
50 mm (2 in.) / Hastelloy C-276		NACE			2				
100 mm (4 in.) / AISI 316L SST (1.4404)		NACE			3				
100 mm (4 in.) / Hastelloy C-276		NACE			4				
150 mm (6 in.) / AISI 316L SST (1.4404)		NACE			5				
150 mm (6 in.) / Hastelloy C-276		NACE			6				
Diaphragm Material (Process Connection) – 11th characters									
AISI 316L SST (1.4435)		NACE	(Note: 6)			S			
Hastelloy C-276		NACE	(Note: 7)			H			
Tantalum		NACE	(Note: 8)			T			
Fill Fluid – 12th characters									
Silicone oil							S		
Inert fluid			(Note: 1)				N		
White oil (FDA approved)			(Note: 9)				W		
Silicone oil for vacuum applications							L		
White oil (FDA approved), for vacuum applications			(Note: 9)				Y		
Electronic Housing Material / Electrical Connection – 13th characters									
AISI 316L SST (1.4404) / M16 x 1.5 (with cable gland made of plastic)			(Note: 10)					2	
AISI 316L SST (1.4404) / 1/2-14 NPT (without cable gland)			(Note: 11)					S	
AISI 316L SST (1.4404) / M20 x 1.5 (with cable gland made of plastic)			(Note: 10)					T	
AISI 316L SST (1.4404) / Harting Han Connector			(Note: 12)					3	
AISI 316L SST (1.4404) / Miniature Connector			(Note: 12)					Z	
Output – 14th characters									
HART digital communication and 4 to 20 mA (Additional options to be ordered by additional ordering code)									1

...Ordering information

Additional ordering information for model 261GC

Add one or more 2-digit code(s) after the basic ordering information to select all required options.

	XX	XX	XX	XX	XX	XX
Explosion Protection Certification						
Factory Mutual (FM) - Intrinsically Safe (Note: 13)	EA					
Canadian Standard Association (CSA) - Intrinsically Safe (Note: 17)	ED					
ATEX Group II Category 1/2 G - Intrinsic Safety EEx ia	EH					
ATEX Group II Category 1/2 G and 1/2 D - Intrinsic Safety EEx ia	EL					
IECEX Ex ia IIC T6 + Ex nA IIC T6, Gas	ER					
IECEX Ex ia IIC T6 + Ex nA IIC T6 + Ex tb. Gas & Dust	ES					
Integrated Digital Display (LCD)						
With integrated LCD display		L1				
Electronic Housing: Ground Terminal						
Housing with external grounding terminal			AA			
Electronic Housing: Cable Gland						
Cable Gland M16 x 1.5 / M20 x 1.5 and atmosphere ventilation of metal				AB		
Applications: Oxygen						
Oil- and grease-free, for oxygen applications (O ₂) (P _{max} = 10 MPa / 100 bar / 1450 psi, T _{max} = 60 °C / 140 °F) (Note: 14)					P1	
Operating Instruction Language						
German						M1
Italian						M2
Spanish						M3
French						M4
English						M5
Portuguese						MA
Russian						MB

Additional ordering information for model 261GC

	XX	XX	XX	XX	XX	XX	XX	XX
Additional Tag Plate								
Stainless steel	I1							
Certificates: 3.1 Calibration								
Inspection certificate 3.1 acc. EN 10204 of calibration		C1						
Certificates: 3.1 Cleanliness Stage								
Inspection certificate 3.1 acc. EN 10204 of cleanliness stage			C3					
Certificates: 3.1 Helium Leakage Test								
Inspection certificate 3.1 acc. EN 10204 of helium leakage test of the sensor module				S2				
Certificates: 3.1 Pressure Test								
Inspection certificate 3.1 acc. EN 10204 of pressure test					C5			
Certificates: 2.1 Instrument Design								
Declaration of compliance with the order 2.1 acc. EN 10204 for instrument design							C6	
Certificates: SIL2								
SIL2 - Declaration of Conformity								CL
Certificates: MVO Approval								
MVO approval					(Note: 15)			CB

...Ordering information

Additional ordering information for model 261GC

	XX	XX
Material: 3.1 Inspection		
Inspection certificate 3.1 acc. EN 10204 of process wetted parts (Note: 16)	H3	
Material: 2.2 Test Report		
Test report 2.2 acc. EN 10204 of the pressure bearing and process wetted parts		H4

Note 1: Suitable for oxygen applications

Note 2: Only with seat form EN 1092 - B1

Note 3: Only for size / mounting flange rating according to ASME

Note 4: Only for size / mounting flange rating according to DIN

Note 5: Only with size DN 25

Note 6: Not with tube of Hastelloy C

Note 7: Not with tube of stainless steel / Not with size 1 in. / DN 25

Note 8: Not with tube and not with seat form EN 1092 - D (groove) / Not with size 1 in. / DN 25

Note 9: Suitable for food applications

Note 10: With Cable Gland made of Plastic

Note 11: Without cable gland

Note 12: Select connector with additional ordering code

Note 13: Not available with electrical connection code 3

Note 14: Only available with inert fill

Note 15: Only with Fill Fluid White oil

Note 16: Minor parts with factory certificate acc. EN 10204

Note 17: Not available with electrical connection code 2, T, 3, Z

Standard delivery scope (changes possible with additional ordering code)

- For general-purpose applications (no Ex applications)
- No display, no mounting bracket
- English-language operating instructions; English and German-language labels
- Configuration with kPa and °C units
- No test, inspection, or material certificates

Unless otherwise specified prior to manufacture, the customer shall be responsible for the selection of suitable parts that make contact with the medium and appropriate filling fluids in order to ensure compatibility with the relevant process medium.

...Ordering information

Basic ordering information model 261AC Absolute Pressure Transmitter

				XX	XX	XX	XX	XX	XX
Mounting Flange Material / Seat Form (Flange) – 9th characters									
AISI 316L SST (1.4404)	Form RF (Raised Face) - smooth finish	NACE	(Note: 3)	E					
AISI 316L SST (1.4404)	EN 1092 - B2 (DIN 2526 - Form E)	NACE	(Note: 4)	S					
AISI 316L SST (1.4404)	EN 1092 - B1 (DIN 2526 - Form D)	NACE	(Note: 5)	4					
AISI 316L SST (1.4404)	EN 1092 - E (DIN 2513 - V13)	NACE	(Note: 4)	M					
AISI 316L SST (1.4404)	EN 1092 - D (DIN 2512 - N)	NACE	(Note: 4)	N					
Extension Length / Material – 10th characters									
Flush		NACE			F				
50 mm (2 in.) / AISI 316L SST (1.4404)		NACE			1				
50 mm (2 in.) / Hastelloy C-276		NACE			2				
100 mm (4 in.) / AISI 316L SST (1.4404)		NACE			3				
100 mm (4 in.) / Hastelloy C-276		NACE			4				
150 mm (6 in.) / AISI 316L SST (1.4404)		NACE			5				
150 mm (6 in.) / Hastelloy C-276		NACE			6				
Diaphragm Material (Process Connection) – 11th characters									
AISI 316L SST (1.4435)		NACE	(Note: 6)		S				
Hastelloy C-276		NACE	(Note: 7)		H				
Tantalum		NACE	(Note: 8)		T				
Fill Fluid – 12th characters									
Silicone oil							S		
Inert fluid			(Note: 1)				N		
White oil (FDA approved)			(Note: 9)				W		
Silicone oil for vacuum applications							L		
White oil (FDA approved), for vacuum applications			(Note: 9)				Y		
Electronic Housing Material / Electrical Connection – 13th characters									
AISI 316L SST (1.4404) / M16 x 1.5 (with cable gland made of plastic)			(Note: 10)					2	
AISI 316L SST (1.4404) / 1/2-14 NPT (without cable gland)			(Note: 11)					S	
AISI 316L SST (1.4404) / M20 x 1.5 (with cable gland made of plastic)			(Note: 10)					T	
AISI 316L SST (1.4404) / Harting Han Connector			(Note: 12)					3	
AISI 316L SST (1.4404) / Miniature Connector			(Note: 12)					Z	
Output – 14th characters									
HART digital communication and 4 to 20 mA (Additional options to be ordered by additional ordering code)									1

Additional ordering information for model 261AC

Add one or more 2-digit code(s) after the basic ordering information to select all required options.

	XX	XX	XX	XX	XX	XX
Explosion Protection Certification						
Factory Mutual (FM) - Intrinsically Safe (Note: 13)	EA					
Canadian Standard Association (CSA) - Intrinsically Safe (Note: 17)	ED					
ATEX Group II Category 1/2 G - Intrinsic Safety EEx ia	EH					
ATEX Group II Category 1/2 G and 1/2 D - Intrinsic Safety EEx ia	EL					
IECEX Ex ia IIC T6 + Ex nA IIC T6, Gas	ER					
IECEX Ex ia IIC T6 + Ex nA IIC T6 + Ex tb. Gas & Dust	ES					
Integrated Digital Display (LCD)						
With integrated LCD display		L1				
Electronic Housing: Ground Terminal						
Housing with external grounding terminal			AA			
Electronic Housing: Cable Gland						
Cable Gland M16 x 1.5 / M20 x 1.5 and atmosphere ventilation of metal				AB		
Applications: Oxygen						
Oil- and grease-free, for oxygen applications (O2) (Pmax = 10 MPa / 100 bar / 1450 psi, Tmax = 60 °C / 140 °F) (Note: 14)					P1	
Operating Instruction Language						
German						M1
Italian						M2
Spanish						M3
French						M4
English						M5
Portuguese						MA
Russian						MB

...Ordering information

Additional ordering information for model 261AC

	XX	XX	XX	XX	XX	XX	XX	XX
Additional Tag Plate								
Stainless steel	I1							
Certificates: 3.1 Calibration								
Inspection certificate 3.1 acc. EN 10204 of calibration		C1						
Certificates: 3.1 Cleanliness Stage								
Inspection certificate 3.1 acc. EN 10204 of cleanliness stage			C3					
Certificates: 3.1 Helium Leakage Test								
Inspection certificate 3.1 acc. EN 10204 of helium leakage test of the sensor module				C4				
Certificates: 3.1 Pressure Test								
Inspection certificate 3.1 acc. EN 10204 of pressure test					C5			
Certificates: 2.1 Instrument Design								
Declaration of compliance with the order 2.1 acc. EN 10204 for instrument design						C6		
Certificates: SIL2								
SIL2 - Declaration of Conformity							CL	
Certificates: MVO Approval								
MVO approval								CR
					(Note: 15)			

Additional ordering information for model 261AC

		XX	XX
Material: 3.1 Inspection			
Inspection certificate 3.1 acc. EN 10204 of process wetted parts	(Note: 16)	H3	
Material: 2.2 Test Report			
Test report 2.2 acc. EN 10204 of the pressure bearing and process wetted parts			H4

- Note 2: Only with seat form EN 1092 - B1
- Note 3: Only for size / mounting flange rating according to ASME
- Note 4: Only for size / mounting flange rating according to DIN
- Note 5: Only with size DN 25
- Note 6: Not with tube of Hastelloy C
- Note 7: Not with tube of stainless steel / Not with size 1 in. / DN 25
- Note 8: Not with tube and not with seat form EN 1092 - D (groove) / Not with size 1 in. / DN 25
- Note 9: Suitable for food applications
- Note 10: With Cable Gland made of Plastic
- Note 11: Without cable gland
- Note 12: Select connector with additional ordering code
- Note 13: Not available with electrical connection code 3
- Note 14: Only available with inert fill
- Note 15: Only with Fill Fluid White oil
- Note 16: Minor parts with factory certificate acc. EN 10204
- Note 17: Not available with electrical connection code 2, T, 3, Z

Standard delivery scope (changes possible with additional ordering code)

- For general-purpose applications (no Ex applications)
- No display, no mounting bracket
- English-language operating instructions; English and German-language labels
- Configuration with kPa and °C units
- No test, inspection, or material certificates

Unless otherwise specified prior to manufacture, the customer shall be responsible for the selection of suitable parts that make contact with the medium and appropriate filling fluids in order to ensure compatibility with the relevant process medium.

...Ordering Information

Basic ordering information 261GG Gauge Pressure Transmitters

Select one character or set of characters from each category and specify complete catalog number.

Refer to additional ordering information and specify one or more codes for each transmitter if additional options are required.

Base model – 1st to 5th characters			261GG	X	X	X	X	X	X	X
Gauge pressure transmitter, hygienic connections, base accuracy 0.1 %										
Sensor - Span Limits – 6th characters										
40 kPa	400 mbar	160 in. H ₂ O (300 mm Hg)		F						
250 kPa	2500 mbar	1000 in. H ₂ O (1875 mm Hg)		L						
1000 kPa	10 bar	145 psi		D						
4000 kPa	40 bar	580 psi		1						
Diaphragm Material / Fill Fluid (sensor) – 7th characters										
Not selected										0
Process Connection – 8th characters										
Dairy Thread DIN 11851, DN 32, PN 40		(Note: 1)								B
Dairy Thread DIN 11851, DN 40, PN 40		(Note: 1)								C
Dairy Thread DIN 11851, DN 50, PN 25		(Note: 1)								D
SMS 1-1/2 in. union nut PN 40										F
SMS 2 in. union nut PN 40										G
RJT union nut DN 1-1/2 in. PN 40										J
RJT union nut DN 2 in. PN 40										K
Tri-Clamp Connection acc. ASME 1-1/2 in. PN 40		(Note: 1)								M
Tri-Clamp Connection acc. ASME 2 in. PN 40		(Note: 1)								N
Tri-Clamp Connection acc. ASME 3 in. PN 25		(Note: 1)								P
Varivent for pipes DN 25, PN 25		(Note: 1)								R
Varivent for pipes DN 40 to DN 125, PN 25		(Note: 1)								S
Neumo-Biocontrol G50		(Note: 1)								T
Neumo-Biocontrol G65		(Note: 1)								U
DRD flange, D = 65 mm		(Note: 1)								Y

continued
see next page

Basic ordering information model 261GG Gauge Pressure Transmitter

	XX	XX	XX	XX	XX
Diaphragm Material (Process Connection) – 9th characters					
AISI 316L SST (1.4435)	NACE	S			
Fill Fluid – 10th characters					
Silicone oil		S			
Inert fluid	(Note: 2)	N			
White oil (FDA approved)	(Note: 3)	W			
Silicone oil for vacuum applications		L			
White oil (FDA approved), for vacuum applications	(Note: 3)	Y			
Gasket– 11th characters					
None	(Note: 4)			1	
Perbunan (max. 120 °C / 248 °F)	(Note: 5)			4	
Viton	(Note: 6)			3	
PTFE	(Note: 5)			2	
Electronic Housing Material / Electrical Connection – 12th characters					
AISI 316L SST (1.4404) / M16 x 1.5 (with cable gland made of plastic)	(Note: 7)				2
AISI 316L SST (1.4404) / 1/2-14 NPT (without cable gland)	(Note: 8)				S
AISI 316L SST (1.4404) / M20 x 1.5 (with cable gland made of plastic)	(Note: 7)				T
AISI 316L SST (1.4404) / Harting Han Connector	(Note: 9)				3
AISI 316L SST (1.4404) / Miniature Connector	(Note: 9)				Z
Output – 13th characters					
HART digital communication and 4 to 20 mA (Additional options to be ordered by additional ordering code)					1

...Ordering information

Additional ordering information for model 261GG

Add one or more 2-digit code(s) after the basic ordering information to select all required options.

	XX	XX	XX	XX	XX	XX	XX
Explosion Protection Certification							
Factory Mutual (FM) - Intrinsically Safe (Note: 10)	EA						
Canadian Standard Association (CSA) - Intrinsically Safe (Note: 14)	ED						
ATEX Group II Category 1/2 G - Intrinsic Safety EEx ia	EH						
ATEX Group II Category 1/2 G and 1/2 D - Intrinsic Safety EEx ia	EL						
IECEX Ex ia IIC T6 + Ex nA IIC T6, Gas	ER						
IECEX Ex ia IIC T6 + Ex nA IIC T6 + Ex tb. Gas & Dust	ES						
Integrated Digital Display (LCD)							
With integrated LCD display		L1					
Electronic Housing: Ground Terminal							
Housing with external grounding terminal			AA				
Electronic Housing: Cable Gland							
Cable Gland M16 x 1.5 / M20 x 1.5 and atmosphere ventilation of metal				AB			
Applications: Oxygen							
Oil- and grease-free, for oxygen applications (O ₂) (P _{max} = 10 MPa / 100 bar / 1450 psi, T _{max} = 60 °C / 140 °F) (Note: 11)					P1		
Applications: Electropolished							
Process connection electropolished, Ra ≤ 0.5 μm						P5	
Operating Instruction Language							
German							M1
Italian							M2
Spanish							M3
French							M4
English							M5
Portuguese							MA
Russian							MB

...Ordering information

Additional ordering information for model 261GG

	XX	XX
Material: 3.1 Inspection		
Inspection certificate 3.1 acc. EN 10204 of process wetted parts (Note: 13)	H3	
Material: 2.2 Test Report		
Test report 2.2 acc. EN 10204 of the pressure bearing and process wetted parts		H4

Note 1: Available with 3-A approval

Note 2: Suitable for oxygen applications

Note 3: Suitable for food applications

Note 4: For all connections except dairy thread

Note 5: Only for dairy thread, exception: no sealing will be supplied for 3-A approval

Note 6: Only for DRD flange

Note 7: With Cable Gland made of Plastic

Note 8: Without cable gland

Note 9: Select connector with additional ordering code

Note 10: Not available with electrical connection code 3

Note 11: Only available with inert fill

Note 12: Only with Fill Fluid White oil

Note 13: Minor parts with factory certificate acc. EN 10204

Note 14: Not available with electrical connection code 2, T, 3, Z

Standard delivery scope (changes possible with additional ordering code)

- For general-purpose applications (no Ex applications)
- No display, no mounting bracket
- English-language operating instructions; English and German-language labels
- Configuration with kPa and °C units
- No test, inspection, or material certificates

Unless otherwise specified prior to manufacture, the customer shall be responsible for the selection of suitable parts that make contact with the medium and appropriate filling fluids in order to ensure compatibility with the relevant process medium.

...Ordering Information

Basic ordering information 261GN Gauge Pressure Transmitters

Select one character or set of characters from each category and specify complete catalog number.

Refer to additional ordering information and specify one or more codes for each transmitter if additional options are required.

Base model – 1st to 5th characters			261GN	X	X	X	X	X	X	X
Gauge pressure transmitter, process connection front-bonded diaphragm, base accuracy 0.1 %										
Sensor - Span Limits – 6th characters										
250 kPa	2500 mbar	1000 in. H ₂ O (1875 mm Hg)	L							
1000 kPa	10 bar	145 psi	D							
3000 kPa	30 bar	435 psi	U							
10000 kPa	100 bar	1450 psi	R							
60000 kPa	600 bar	8700 psi	V							
Diaphragm Material / Fill Fluid (sensor) – 7th characters										
Front bonded diaphragm	Silicone oil									
Front bonded diaphragm	Inert fluid									
Front bonded diaphragm	White oil									
Process Connection – 8th characters										
G 1 A / PN 600										1
G 1-1/2 A / PN 600										2

continued
see next page

Basic ordering information model 261GN Gauge Pressure Transmitter

	XX	XX	XX	XX
Diaphragm Material (Process Connection) – 9th characters				
AISI 316L SST (1.4435)	NACE	S		
Fill Fluid – 10th characters				
Silicone oil			S	
Inert fluid	(Note: 1)		N	
White oil (FDA approved)	(Note: 2)		W	
Silicone oil for vacuum applications			L	
White oil (FDA approved), for vacuum applications	(Note: 2)		Y	
Electronic Housing Material / Electrical Connection – 11th characters				
AISI 316L SST (1.4404) / M16 x 1.5 (with cable gland made of plastic)	(Note: 3)			2
AISI 316L SST (1.4404) / 1/2-14 NPT (without cable gland)	(Note: 4)			S
AISI 316L SST (1.4404) / M20 x 1.5 (with cable gland made of plastic)	(Note: 3)			T
AISI 316L SST (1.4404) / Harting Han Connector	(Note: 5)			3
AISI 316L SST (1.4404) / Miniature Connector	(Note: 5)			Z
Output – 12th characters				
HART digital communication and 4 to 20 mA (Additional options to be ordered by additional ordering code)				1

...Ordering information

Additional ordering information for model 261GN

Add one or more 2-digit code(s) after the basic ordering information to select all required options.

	XX	XX	XX	XX	XX	XX
Explosion Protection Certification						
Factory Mutual (FM) - Intrinsically Safe (Note: 6)	EA					
Canadian Standard Association (CSA) - Intrinsically Safe (Note: 10)	ED					
ATEX Group II Category 1/2 G - Intrinsic Safety EEx ia	EH					
ATEX Group II Category 1/2 G and 1/2 D - Intrinsic Safety EEx ia	EL					
IECEX Ex ia IIC T6 + Ex nA IIC T6, Gas	ER					
IECEX Ex ia IIC T6 + Ex nA IIC T6 + Ex tb. Gas & Dust	ES					
Integrated Digital Display (LCD)						
With integrated LCD display		L1				
Electronic Housing: Ground Terminal						
Housing with external grounding terminal			AA			
Electronic Housing: Cable Gland						
Cable Gland M16 x 1.5 / M20 x 1.5 and atmosphere ventilation of metal				AB		
Applications: Oxygen						
Oil- and grease-free, for oxygen applications (O2) (Pmax = 10 MPa / 100 bar / 1450 psi, Tmax = 60 °C / 140 °F) (Note: 7)					P1	
Operating Instruction Language						
German						M1
Italian						M2
Spanish						M3
French						M4
English						M5
Portuguese						MA
Russian						MB

Additional ordering information for model 261GN

	XX	XX	XX	XX	XX	XX	XX	XX
Additional Tag Plate								
Stainless steel	I1							
Certificates: 3.1 Calibration								
Inspection certificate 3.1 acc. EN 10204 of calibration		C1						
Certificates: 3.1 Cleanliness Stage								
Inspection certificate 3.1 acc. EN 10204 of cleanliness stage			C3					
Certificates: 3.1 Helium Leakage Test								
Inspection certificate 3.1 acc. EN 10204 of helium leakage test of the sensor module				C4				
Certificates: 3.1 Pressure Test								
Inspection certificate 3.1 acc. EN 10204 of pressure test					C5			
Certificates: 2.1 Instrument Design								
Declaration of compliance with the order 2.1 acc. EN 10204 for instrument design							C6	
Certificates: SIL2								
SIL2 - Declaration of Conformity								CL
Certificates: MVO Approval								
MVO approval						(Note: 8)		CR

...Ordering information

Additional ordering information for model 261GN

	XX	XX	XX	XX
Material: 3.1 Inspection				
Inspection certificate 3.1 acc. EN 10204 of process wetted parts (Note: 9)	H3			
Material: 2.2 Test Report				
Test report 2.2 acc. EN 10204 of the pressure bearing and process wetted parts				H4

- Note 1: Suitable for oxygen applications
- Note 2: Suitable for food applications
- Note 3: With Cable Gland made of Plastic
- Note 4: Without cable gland
- Note 5: Select connector with additional ordering code
- Note 6: Not available with electrical connection code 3
- Note 7: Only available with inert fill
- Note 8: Only with Fill Fluid White oil
- Note 9: Minor parts with factory certificate acc. EN 10204
- Note 10: Not available with electrical connection code 2, T, 3, Z

Standard delivery scope (changes possible with additional ordering code)

- For general-purpose applications (no Ex applications)
- No display, no mounting bracket
- English-language operating instructions; English and German-language labels
- Configuration with kPa and °C units
- No test, inspection, or material certificates

Unless otherwise specified prior to manufacture, the customer shall be responsible for the selection of suitable parts that make contact with the medium and appropriate filling fluids in order to ensure compatibility with the relevant process medium.

Trademarks

- ® Buna-N is a registered trademark of DuPont Dow Elastomers.
- ® FOUNDATION Fieldbus is a registered trademark of FieldComm Group, Austin, Texas, USA
- ® HART is a registered trademark of FieldComm Group, Austin, Texas, USA
- ® Hastelloy is a registered trademark of Haynes International, Inc.
- ® PROFIBUS and PROFIBUS PA are registered trademarks of PROFIBUS & PROFINET International (PI)
- ® Monel is a registered trademark of Special Metals Corporation
- ™ FieldComm Group is a trademark of FieldComm Group, Austin, Texas, USA
- ™ Galden is a Montefluos trademark
- ™ Kynar is an Elf Atochem North America Inc. trademark
- ™ Viton is a DuPont de Nemours trademark

ABB Ltd.**Measurement and Analytics**

Howard Road St. Neots
Cambridgeshire PE19 8EU
UK

Tel: +44 (0)870 600 6122

Fax: +44 (0)1480 213 339

Email: enquiries.mp.uk@gb.abb.com

ABB S.p.A.**Measurement and Analytics**

Via Luigi Vaccani 4
22016 Tremezzina (CO)
Italy

Tel: +39 0344 58111

ABB Inc.**Measurement and Analytics**

125 E. County Line Road
Warminster PA 18974
USA

Tel: +1 215 674 6000

Fax: +1 215 674 7183

abb.com/measurement

We reserve the right to make technical changes or modify the contents of this document without prior notice. With regard to purchase orders, the agreed particulars shall prevail. ABB does not accept any responsibility whatsoever for potential errors or possible lack of information in this document.

We reserve all rights in this document and in the subject matter and illustrations contained therein. Any reproduction, disclosure to third parties or utilization of its contents – in whole or in parts – is forbidden without prior written consent of ABB.