

ABB MEASUREMENT & ANALYTICS | DATA SHEET

## AC200 Series

Industrial 2-electrode conductivity cells  
with rapid temperature response



---

## Measurement made easy

Rugged sensors, rapid response

---

### Safe operation and high process resistance

- 316L stainless steel body and PEEK insulator operates to 20 bar (290 psi) and 200 °C (392 °F)
- Epoxy body and carbon electrodes to 6.6 bar (100 psi) and 100 °C (212 °F)

---

### Easy installation and operation

- insertion, flow-through, immersion and submersible types

---

### Problem-free cable connection

- plug-in connector eliminates incorrect connection and tangled cables
- terminal head version for on-site adjustment of cable length

---

### Excellent for rapid changing processes

- fast integral temperature sensor
- $T_{90}$  under 30 seconds

---

### Reduced maintenance

- easy to clean, removable electrode sheath

---

### Wide range of applications

- power plants
- water treatment
- de-mineralization
- semiconductors
- pulp & paper

## Safe operation and high process resistance

The AC200 series of cells provide highly accurate and reliable inline conductivity measurements up to 20 bar (290 psi) and 200 °C (392 °F). Typical applications are power plants, ion-exchangers, reverse osmosis and chip cleaning.

AC210 cells are available as screw-in, flow-through, immersion and submersible types to permit installation in the majority of industrial applications.

The series comprises two essential variants: AC210 with electrodes of high-density graphite (for 0.1 and 1.0 cell constants); and AC220 stainless steel (for 0.01 and 0.1 cell constants).

A range of cell constants (k values) is provided to measure a wide range of process media from 10,000  $\mu\text{S cm}^{-1}$  down to 0.055  $\mu\text{S cm}^{-1}$  (or 18.2  $\text{M}\Omega\cdot\text{cm}$ ).

All AC200 cells are manufactured to highly exacting standards. Traceable certificates of cell constant accuracy can be supplied on request.

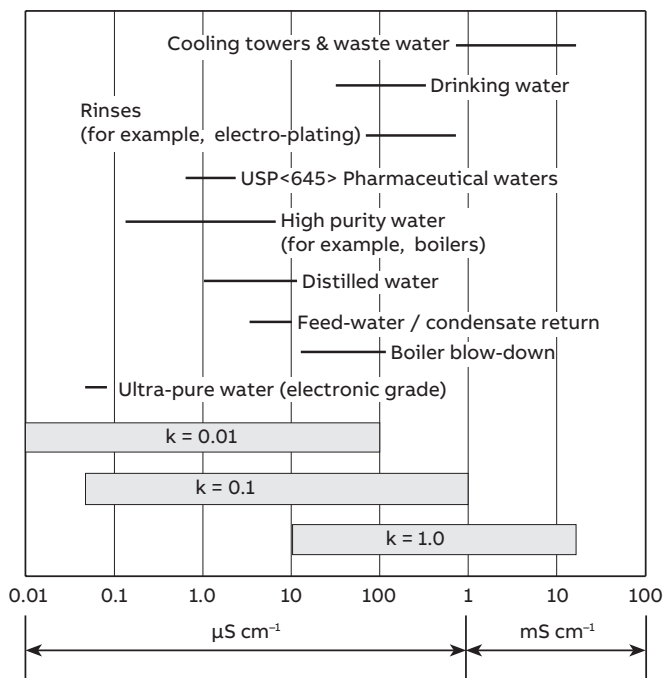


Figure 1 Process solutions and cell constants

### Simple maintenance easy-to-clean cells

Some ultra-pure water processes can contain contaminants that periodically could coat electrodes and reduce measurement accuracy. This can occur during commissioning of new plant or with on-demand power plant where the process does not run continually.

To make maintenance easier all AC220 cells have a removable outer sheath making access for cleaning very simple.



Figure 2 Detachable connector for easy installation

### Flexibility of cable connection

A choice of sensor cable interconnection methods is provided in order to suit a wide variety of needs. The detachable cable connector ensures easy installation and eliminates the possibility of making a wrong connection or tangling cables.

For user flexibility, a terminal head version enables on-site adjustment of cable length and cell stocking, while direct fixed integral cable mounting is provided for the simplest, problemfree connection.

### Rapid integral temperature sensor

Temperature compensation is critical for conductivity measurement, particularly where a wide variation of temperatures is expected.

In addition, detection of cooling water failure can be critical on high temperature sampled systems in the modern power plant.

All AC220 stainless steel cells are equipped with a very fast temperature compensator with  $T_{90}$  of under 30s. This enables accurate temperature compensation and use as a separate temperature measurement for output from the analyzer.

## Easy installation and operation insertion, flow, immersion and submersion

The AC200 is designed to make installation easy and operation simple. These sensors have been designed for mounting in-line, immersed in tanks or directly submerged. The comprehensive range easily meets actual process needs.

### AC210 graphite / epoxy cells

AC210 sensors are constructed of high-density graphite electrodes mounted in loaded epoxy resin. This provides excellent polarisation resistance at higher conductivities and exceptional chemical resistance.

### AC211 screw-in insertion cells

The AC211 sensor is designed to be screwed directly in-line and is rated to 100 °C (212 °F) and 7 bar (100 psi). The process connection is a G 1 in. (BSP) or NPT male thread.

IP68 cable connection options include fixed cable, terminal head and a detachable connector.

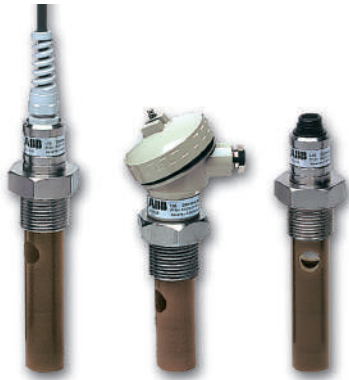


Figure 3 AC211 screw-in cells

### AC212 flow-through cell

The AC212 cell is an integral, flow-through design reducing outlay and easing installation in small-bore lines. The sensor is suitable for operation to 100 °C (212 °F) and 7 bar (100 psi).

Process connections are Rp ½ in. (BSP parallel) and NPT female threads.

Connection of cable is achieved via the integrated IP67 terminal head.



Figure 4 AC212 Flow-through cell for small bore lines

### AC213 immersion and submersible cells

Installation in open channels and tanks is easily achieved with the AC213 polypropylene immersion (dip) system in either 1m (3.3 ft) or 2m (6.6 ft) length. Actual dip length is adjustable on site enabling the system to match actual process needs.

Longer dip lengths are accommodated with the submersible version mounted in a dip tube provided by the user. IP68 protection of the integral, potted-in cable makes it perfectly suited for direct submersion in open channels and bore holes.



Figure 5 AC213/0 Submersible and AC213/1 Immersion Cells

### AC220 stainless steel cells

The AC220 series comprises dedicated screw-in cells that can be inserted directly in-line or screwed into a flow-chamber.

AC220 steel cells are rated to 20 bar (290 psi) and 200 °C (392 °F) when using the terminal head version with ABB high temperature cable. All other types are suitable for operation to 110 °C (230 °F).



Figure 6 AC221 stainless steel cells

## Specification – AC210 carbon cells

### Wetted parts

#### Electrodes

Carbon

#### Cell body

Loaded epoxy resin

#### Mounting boss (AC211)

316L stainless steel

#### Immersion tube (AC213/1 and /2)

Glass reinforced polypropylene

#### Submersible shroud and cable (AC213/0)

PVC and cross-linked polyolefin

### Temperature and pressure limits

#### Insertion and flow-through variants

##### Max. operating temperature

100 °C (212 °F)

##### Max. operating pressure (absolute)

7 bar (700 kPa, 100 psi)

#### Immersion (dip) variant

##### Max. operating temperature

90 °C (194 °F)

##### Max. operating pressure (absolute)

2 m water head (0.2 bar)

#### Submersible variant

##### Max. operating temperature

80 °C (176 °F)

##### Max. operating pressure (absolute)

10 m water head (1 bar)

### Ingress protection

IP68 (all variants except flow-through)

IP67 (flow-through)

### Available cell constants

0.10 and 1.00

### Temperature element

Integral Pt100 (3-wire) in sensor body

### Sensor cable terminations

#### Integral, potted-in cable

On insertion, immersion and submersible models

#### Terminal head

On insertion and flowthrough models

#### Detachable cable

On insertion models

### Available cable lengths

1, 2, 5, 10, 15 and 20 m (3.3, 6.6, 16, 33, 49 and 66 ft.)

### Process connections

#### Screw-in insertion

- G1 in. (BSP parallel) thread
- 1 in. NPT thread

#### Flow-through

- Rp ½ in. (BSP parallel) thread
- ½ in. NPT thread

#### Immersion (dip) mount

- 1 and 2 m (3.3 and 6.6 ft) immersion lengths, site adjustable
- Non pressure-bearing flange with DN10 / ANSI 1½ in. 150lb mounting holes
- Mounting bracket (optional)

#### Replacement immersion cell

1 in. NPT rear thread to fit ABB or user-own dip tube

#### Submersible

Suspended in process by the sensor cable

---

## Specification – AC220 stainless steel cells

### Wetted parts

Electrodes and cell body

316L stainless steel

Insulator

PEEK

### Max. operating temperature

Terminal head version

200 °C (392 °F) when used with ABB high temperature cable Pt. no. 4TB3004-0008

Fixed and detachable cable and terminal head versions

110°C (230°F)

### Max. operating pressure (absolute)

20 bar (2000kpa, 290 psi)

### Ingress protection

IP68

### Cell constants

0.01 and 0.10

### Temperature element

Integral Pt100 (3-wire) in sensor body

### Temperature response, $T_{90}$

<30s

### Sensor cable terminations

- Integral, potted-in cable
- Terminal head
- Detachable cable

### Available cable lengths

1, 2, 5, 10, 15 and 20 m (3.3, 6.6, 16, 33, 49 and 66 ft.)

### Process connections

Screw-in insertion

- G $\frac{3}{4}$  in. (BSP parallel) thread
- $\frac{3}{4}$  in. NPT thread

## Dimensions

Dimensions in mm (in.)

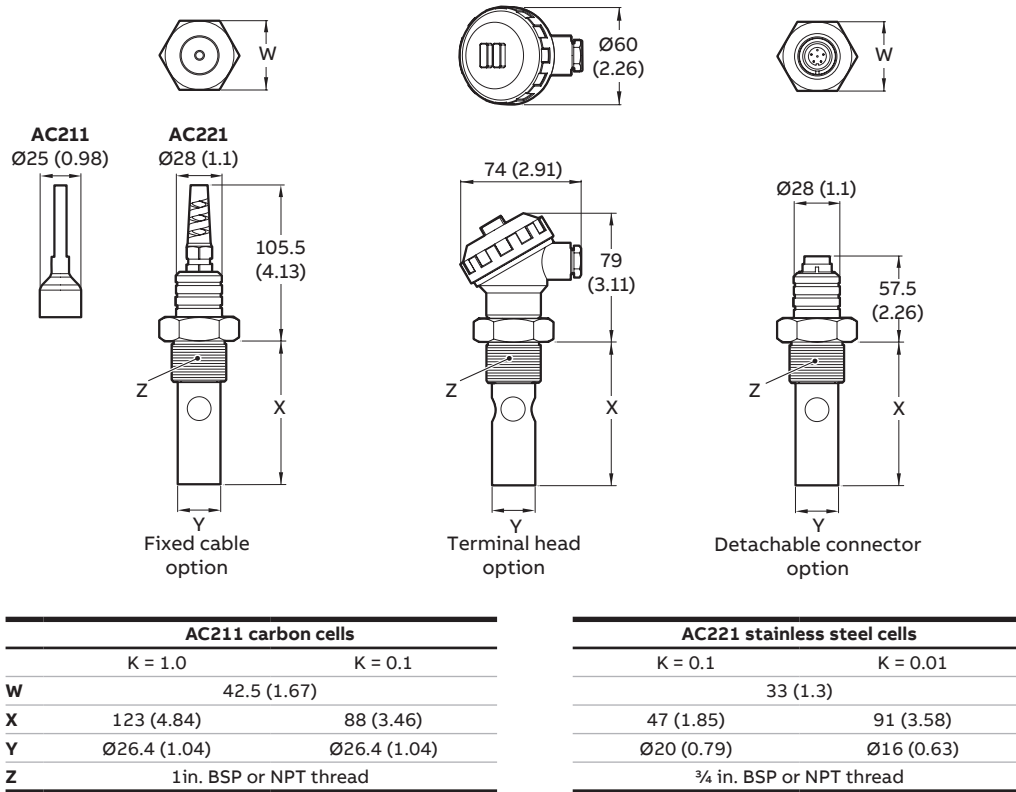


Figure 7 AC211 and AC221 cells

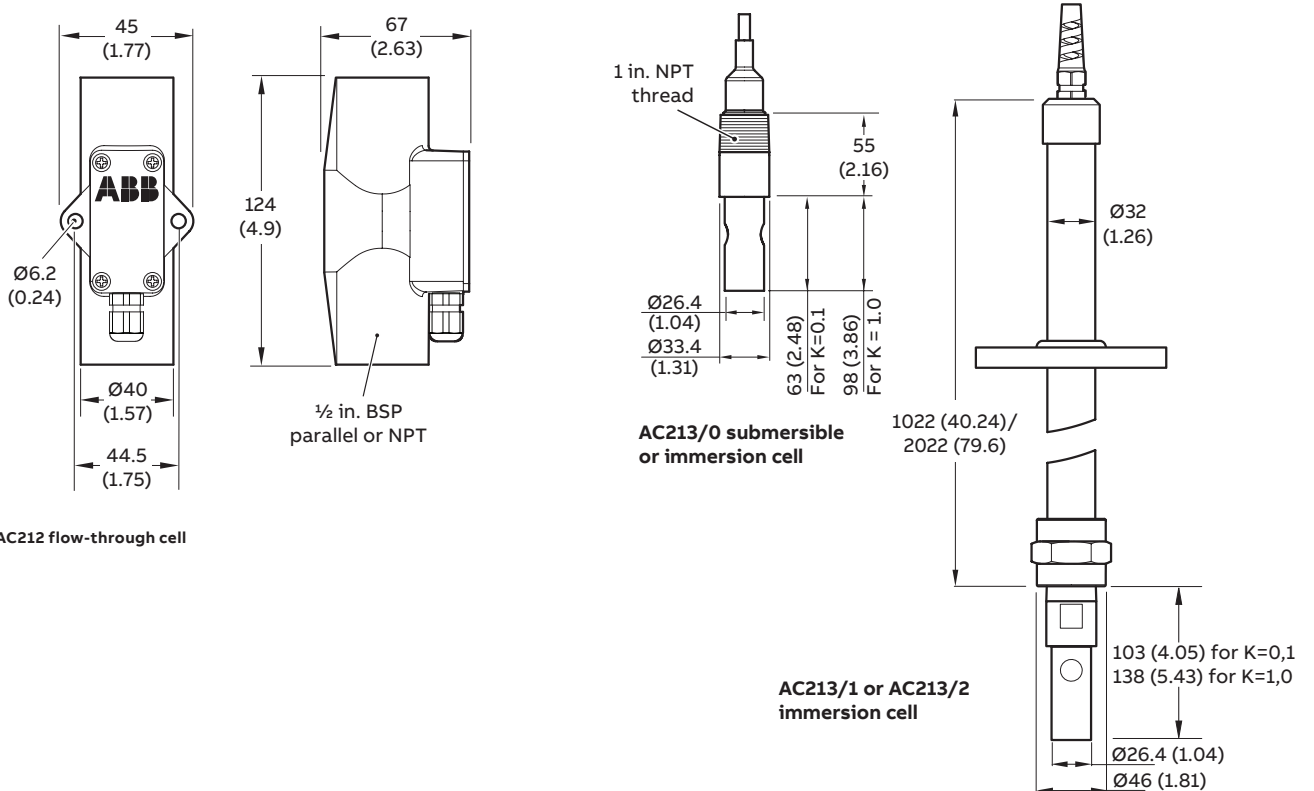


Figure 8 AC212 flow-through cell

Figure 9 AC213 submersible and immersion cells





## Accessories

AC200 replacement / extension cables	AC200	XXX	X
<b>Cell extension cable</b>			
For terminal head versions AC2xx/xxx2		018	
For detachable connector versions AC2xx/xxx3		008	
<b>Cable length</b>			
None			0
1m (3.3 ft)			1
2m (6.6 ft)			2
5m (16 ft)			3
10m (33 ft)			4
15m (49 ft)			5
20m (66 ft)			6
Other length – consult factory			9

## 2998 series flow chambers for AC221 stainless steel cells

	Cell connection	Inlet / Outlet connection
2998/350	¾ in. BSP	⅜ in. NPT
2998/360	¾ in. BSP	⅜ in. BSP

---

## Notes

Sales



Service





---

**ABB Limited**  
**Measurement & Analytics**

Oldends Lane  
Stonehouse  
Gloucestershire GL10 3TA  
UK  
Tel: +44 (0)1453 826 661  
Fax: +44 (0)1453 829 671  
Mail: instrumentation@gb.abb.com

**ABB Inc.**  
**Measurement & Analytics**

125 E. County Line Road  
Warminster, PA 18974  
USA  
Tel: +1 215 674 6000  
Fax: +1 215 674 7183

**[abb.com/measurement](http://abb.com/measurement)**

We reserve the right to make technical changes or modify the contents of this document without prior notice. With regard to purchase orders, the agreed particulars shall prevail. ABB does not accept any responsibility whatsoever for potential errors or possible lack of information in this document.

We reserve all rights in this document and in the subject matter and illustrations contained therein. Any reproduction, disclosure to third parties or utilization of its contents – in whole or in parts – is forbidden without prior written consent of ABB.